

# MARWEL Conveyors™

sales@marwel.com  
www.marwel.com  
Registered in England

## Fence Panels

Marshall Welded Steel Ltd  
Tel: +44(0)121 552 4418  
Fax +44(0)121 552 4018

DUDLEY ROAD EAST - OLDBURY – WEST MIDLANDS – B69 3EB

We would like to introduce ourselves as Specialist Mechanical Handling Engineers.

Marwel Conveyors and its associated companies have been trading for over 55 years. In its time it has built an enviable reputation for the quality and durability of its products.

### FENCE PANEL HANDLING

Marwel Conveyors supply and manufacture a large variety of fence panel handling equipment. All conveyor systems are designed and manufactured to suit the individual customer's needs.



### Control Systems

Marwel design and manufacture control systems in house.

### Conveyors

Chain conveyors, shuttle cars, powered rollers are all used to handle Fence Panels and other timber products either in stacks or individually.

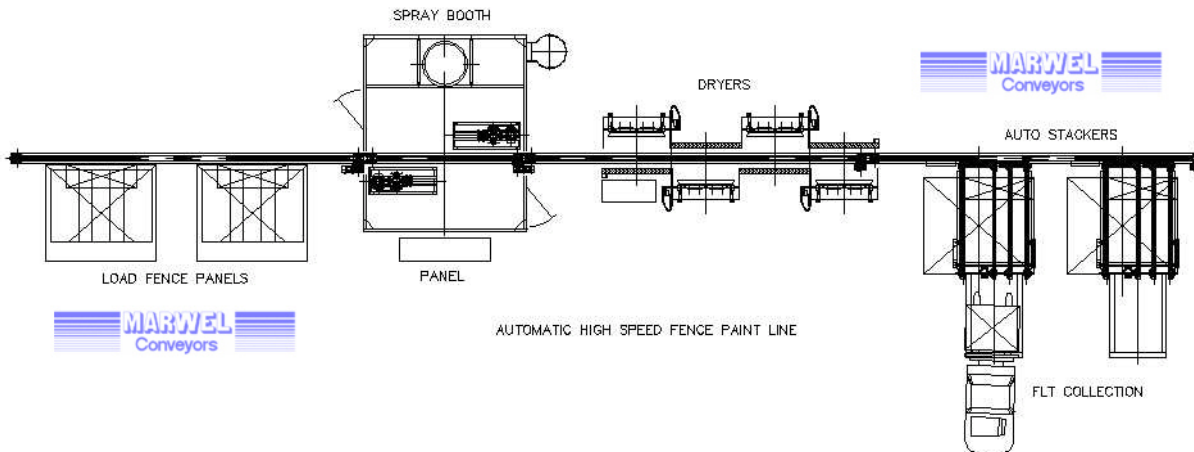
### Painting – Block Dipping

Marwel have considerable experience in painting fence panels and other timber products. Block dipping of packs gives high output in one colour.



### Painting – Individual Panels

Fence Panels or other timber products can be individually painted at high speed on an automatic spray line. Colour changing can be incorporated if required.



### Assembly Lines

If you have a requirement for specialised handling equipment to and from assembly lines then we can provide a solution.

If you have any queries or require more information please do not hesitate to contact one of our sales team or visit our website.